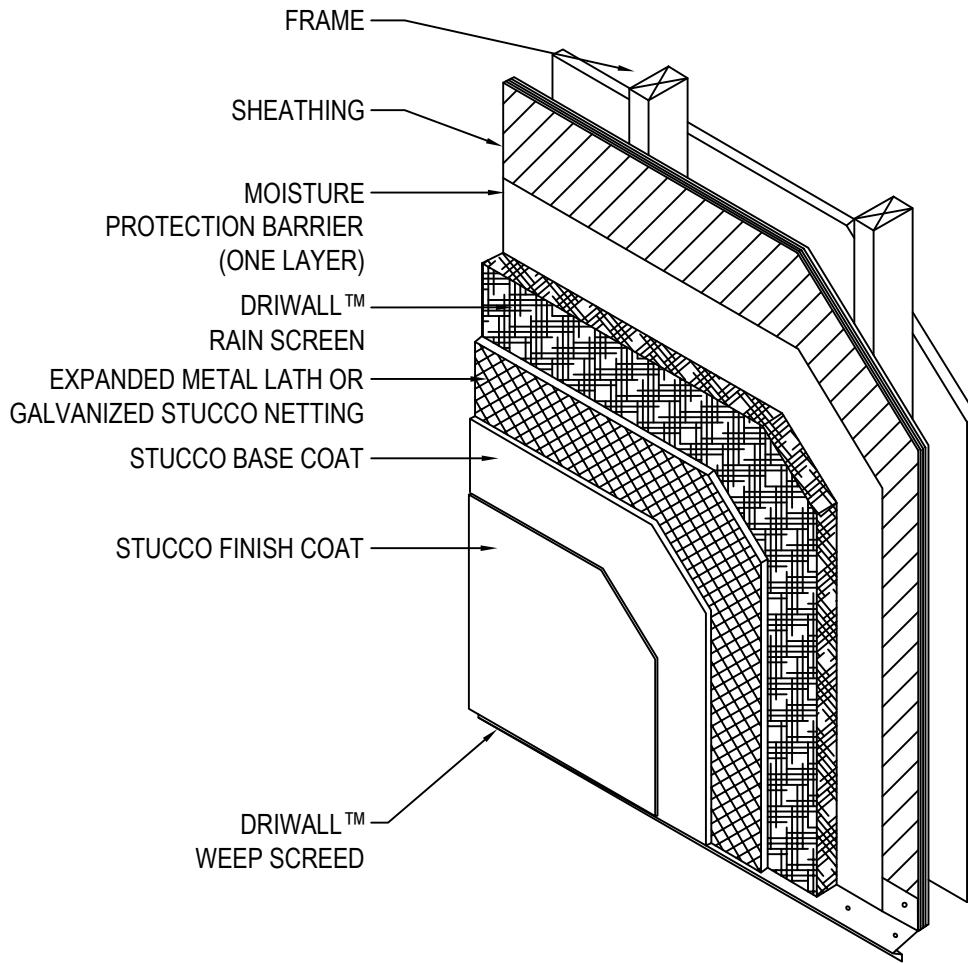




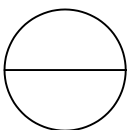
KEENE BUILDING PRODUCTS
 P.O. BOX 241353
 MAYFIELD HEIGHTS, OH 44124
 TOLL FREE: 1-877-514-5336
 PHONE: (440) 605-1020
 FAX: (440) 605-1120
 www.keenebuilding.com



SECTION
 ONE COAT APPLICATION EPS BOARD

NOTES:

1. INSTALLATION TO BE COMPLETED IN ACCORDANCE WITH MANUFACTURER'S SPECIFICATIONS.
2. DO NOT SCALE DRAWING.
3. THIS DRAWING IS INTENDED FOR USE BY ARCHITECTS, ENGINEERS, CONTRACTORS, CONSULTANTS AND DESIGN PROFESSIONALS FOR PLANNING PURPOSES ONLY. THIS DRAWING MAY NOT BE USED FOR CONSTRUCTION.
4. ALL INFORMATION CONTAINED HEREIN WAS CURRENT AT THE TIME OF DEVELOPMENT BUT MUST BE REVIEWED AND APPROVED BY THE PRODUCT MANUFACTURER TO BE CONSIDERED ACCURATE.
5. CONTRACTOR'S NOTE: FOR PRODUCT AND COMPANY INFORMATION VISIT www.CADdetails.com/info AND ENTER REFERENCE NUMBER 1743-087.



WALLS/SIDING

ONE COAT STUCCO APPLICATION WITH DRIWALL RAINSCREEN